

J[®]
70

The Ramp-Launching Speedster with Stability



Sportboat Fun with Keelboat Confidence

The New Dimension in Sailing

The J/70 Speedster is J/Boats' first ramp-launchable keelboat – designed to fulfill the growing need for an easy-to-own, high performance one-design that is exciting to sail, stable enough for the family, and built to last. A natural evolution of its J pedigree, the J/70's 22+ feet of sailing length with high aspect, all carbon rig and deep, lifting keel provides spirited, sportboat performance with the stability normally found in a much larger boat.

And Away She Goes

Knifing through the water upwind with confidence and ease, the J/70 has that legendary “J” feel – light, controllable with a wide-groove to sail consistently fast. With an adjustable backstay and other sail controls within reach of the driver, one can quickly adjust sail shape and rig tension across the full range of conditions, making it easier and faster to change gears. Off the wind, J/70 simply lights up the crew with a smile! Set the masthead asymmetric spinnaker off the carbon bowsprit and enjoy an exhilarating ride as the J/70 pops up on a plane in a moderate breeze. There's no need to ever leave the cockpit.



Sailing Comfort & Ease with Trailering Freedom

One Size Fits All

The J/70's 11' long cockpit and moderate height boom allow easy crew movement across the cockpit while tacking and jibing. For sitting and hiking comfort, mid-height safety-lines run cockpit length, making J/70 one of the most comfortable boats to steer and crew aboard without having to rely on hiking devices. Unlike most ramp-launching sailboats, J/70 features a small cabin to provide weather protection, a place to nap and personal privacy. With two small seats, a full length V-berth and storage bin locations, there's space to tote along everything needed for a day on the water.



J/70 Goes Global

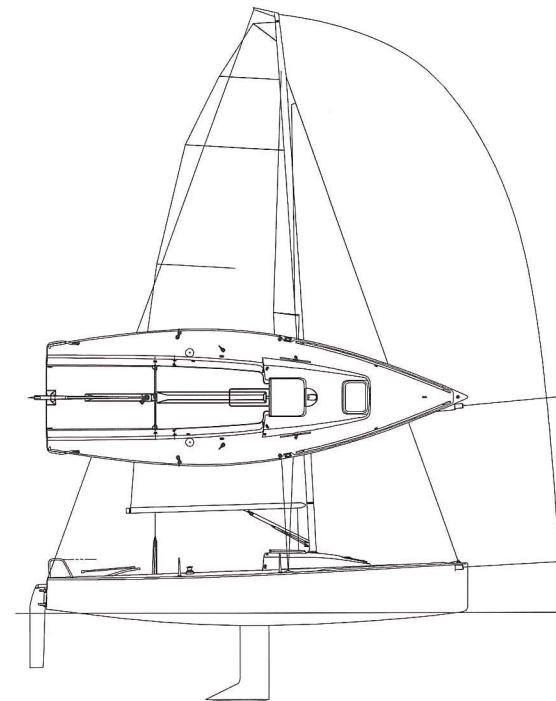
With 1,000+ boats delivered in less than 4 years, the J/70 has taken the world by storm and is sailing in 25+ countries on four continents. Recognized in 2013 as an International Class by World Sailing, the member-run J/70 Class Association holds annual world and continental championships, and maintains an active member website. The J/70 is the featured sportboat in Sailing League competition across Europe and has been selected for numerous other premier events including the International Women's Keelboat Championship.



J/70 is all about making sailing more accessible and easier to fit into today's busy lifestyle. Two people is all it takes to step the mast, rig and launch the J/70. One is all it takes to sail her. The J/70 can be stored and sailed from a mooring or dock slip, dry-sailed from its trailer, and even dry-sailed from a floating dock thanks to new storage systems such as Versadock DrySail.



J/70 Specifications



	U.S. (feet)	Metric (m)
LOA	22.75	6.93
LWL	20.47	6.24
Beam	7.38	2.25
Draft	4.75	1.45
Displacement	1,750	794
Ballast	630	286
Engine	Outboard	Outboard
100% Sail Area	226	21
I	26.77	8.16
J	7.68	2.34
P	26.16	7.97
E	9.44	2.88
SA/Dspl	25	25
Dspl/L	91	91

Specifications are subject to change without prior notice or obligation



Box 90, 557 Thames Street, Newport, RI 02840, U.S.A.
 +1 401-846-8410 info@jboats.com www.jboats.com